

# SDA1-2 Series



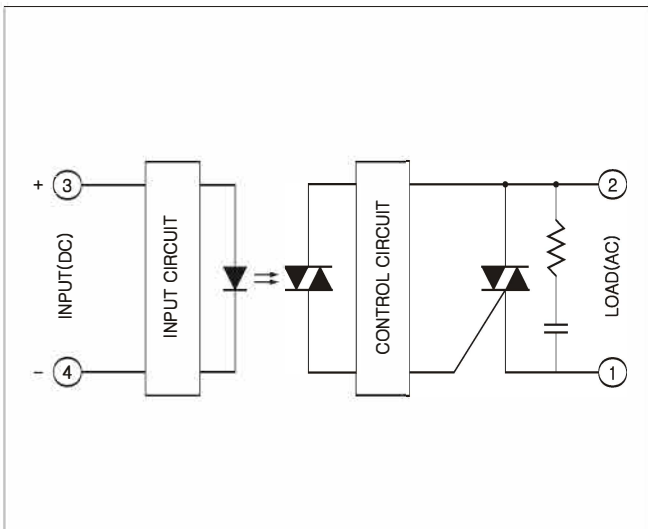
## Input DC/Output AC 1-Phase Mold

- 15 - 50Amp AC240V Output
- AC 2500V Isolation
- Normally Open
- LED Indicator
- Zero-cross and Random Switching
- Panel Mount with Heatsink
- UL Approved
- CE Approved

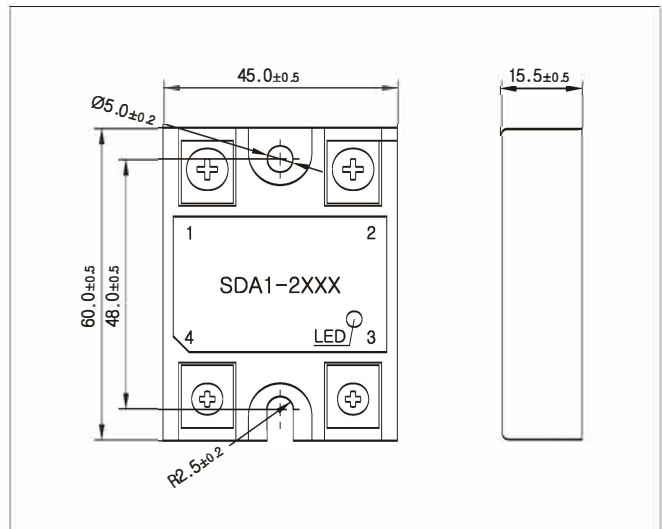
### SPECIFICATIONS

Item		SDA1-215Z	SDA1-225Z	SDA1-240Z	SDA1-250Z	SDA1-215R	SDA1-225R	SDA1-240R	SDA1-250R	Unit
OUTPUT	RMS ON-STATE LOAD CURRENT	15	25	40	50	15	25	40	50	Arms
	LOAD VOLTAGE RANGE	50 ~ 240								Vrms
	BLOCKING VOLTAGE	600								Vrms
	PEAK 1-CYCLE SURGE CURRENT	170	210	315	450	170	210	315	450	Arms
	ON-STATE VOLTAGE DROP	2 Max								Vrms
	OFF-STATE LEAKAGE CURRENT	10 Max								mArms
INPUT	INPUT VOLTAGE RANGE	4 ~ 32								Vdc
	PICK-UP VOLTAGE	4 Max								Vdc
	DROP-OUT VOLTAGE	1 Min								Vdc
GENERAL	ISOLATION VOLTAGE	2,500Vrms between I/O terminals and case for 1 minute								/
	ISOLATION RESISTANCE	500Vdc 100Mohm between I/O terminals and case								/
	OPERATING TEMPERATURE	-30 ~ +80								°C
	STORAGE TEMPERATURE	-30 ~ +100								°C
	TURN-ON TIME	1/2 Cycle Max				1 msec Max				/
	TURN-OFF TIME	1/2 Cycle max								/
	ZERO-CROSS OR RANDOM	Zero-cross				Random				/

### BLOCK DIAGRAM



### DIMENSIONS (UNIT : MM)



**Characteristic curve**

**A. 15Amp S.S.R**

**S.S.R Model**

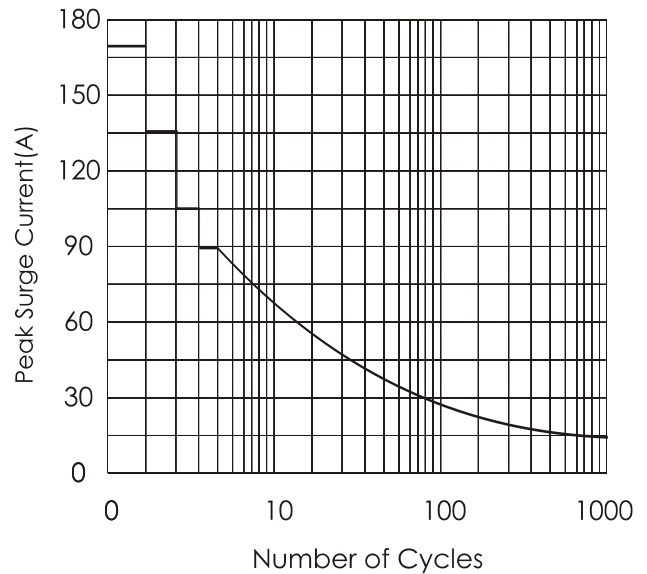
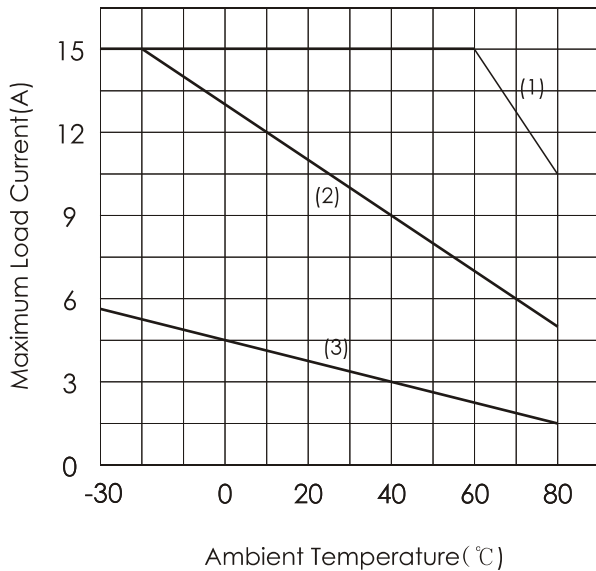
SDA1-215Z/215R/415Z/415R  
SAA1-215Z/415Z

**Heatsink**

(1)Infinite(2)UHS118-1-45(3)Non

**S.S.R Model**

PDA1-215ZHL/215ZHS  
SDA1-215Z/215R SAA1-215Z  
SDA2-215Z SAA2-215Z  
SDA3-215Z SAA3-215Z



**B. 25Amp S.S.R**

**S.S.R Model**

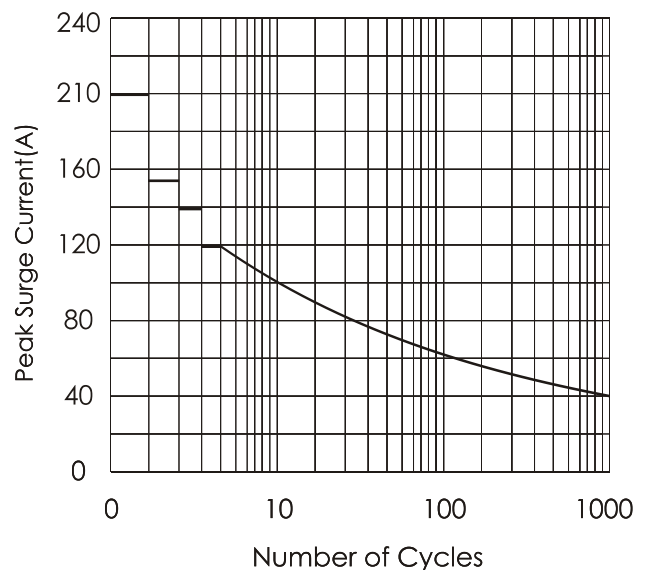
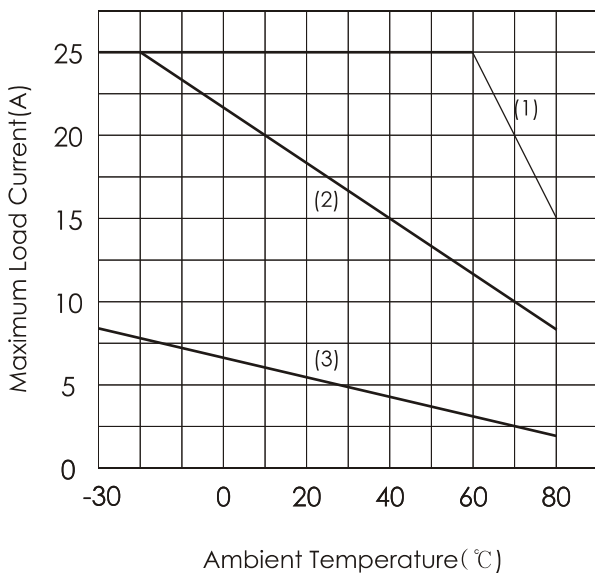
SDA1-225Z/225R/425Z/425R  
SAA1-225Z/425Z

**Heatsink**

(1)Infinite(2)UHS118-1-60(3)Non

**S.S.R Model**

PDA1-225ZHL/225ZHS  
SDA1-225Z/225R SAA1-225Z  
SDA2-225Z SAA2-225Z  
SDA3-225Z SAA3-225Z



Characteristic curve

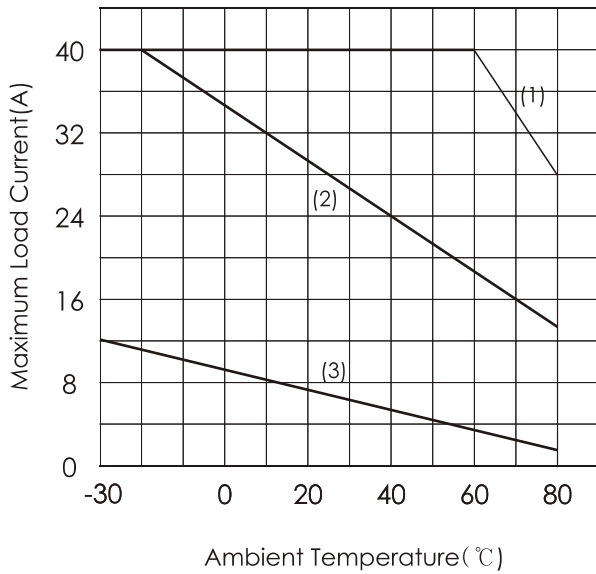
C. 40Amp S.S.R

S.S.R Model

SDA1-240Z/240R/440Z/440R  
SAA1-240Z/440Z

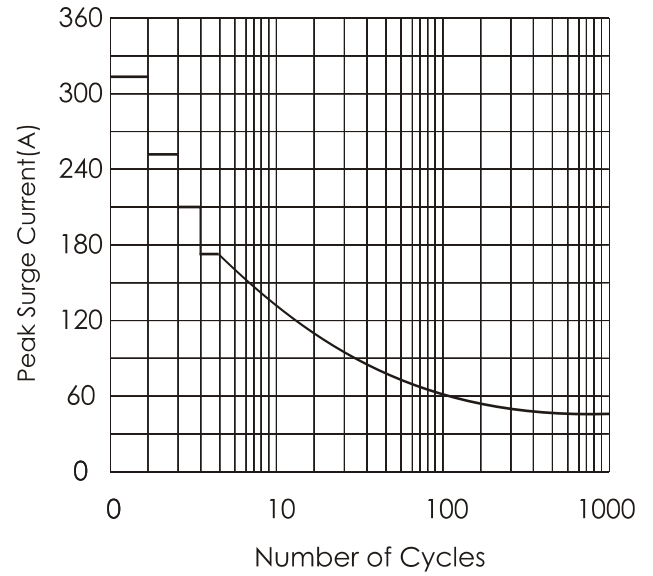
Heatsink

(1)Infinite(2)UHS118-1-80(3)Non



S.S.R Model

SDA1-240Z/240R SAA1-240Z  
SDA2-240Z SAA2-240Z  
SDA3-240Z SAA3-240Z



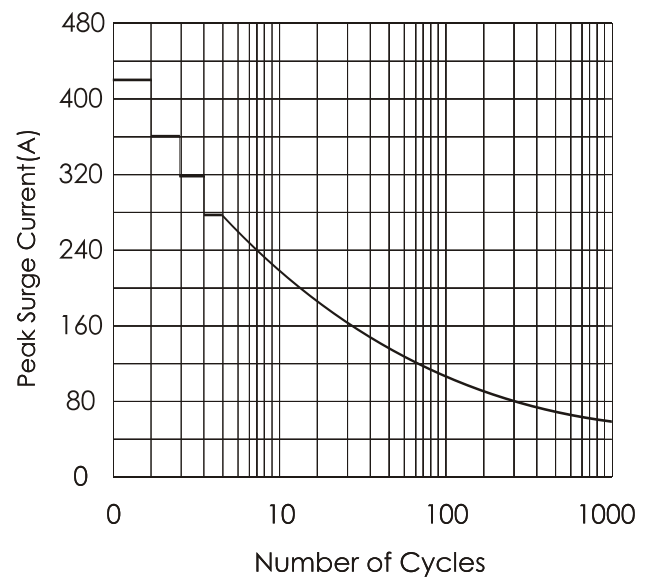
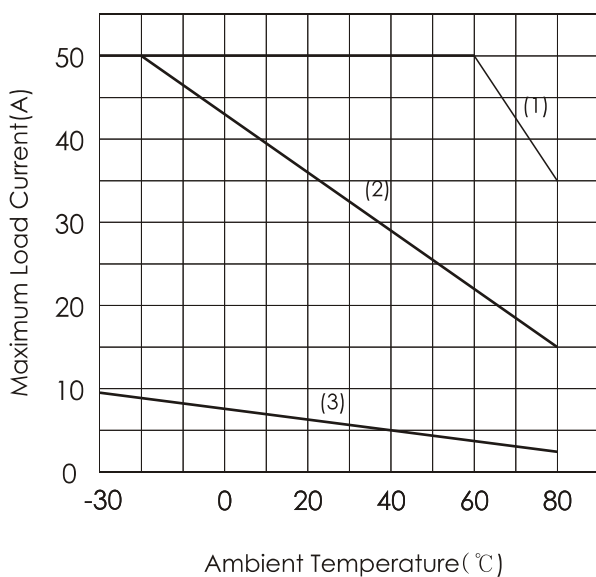
D. 50Amp S.S.R

S.S.R Model

SDA1-250Z/250R/450Z/450R  
SAA1-250Z/450Z

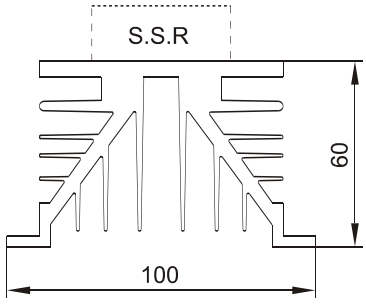
Heatsink

(1)Infinite(2)UHS118-1-80(3)Non

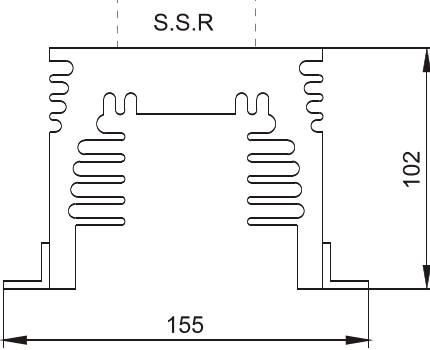


Standard heatsink

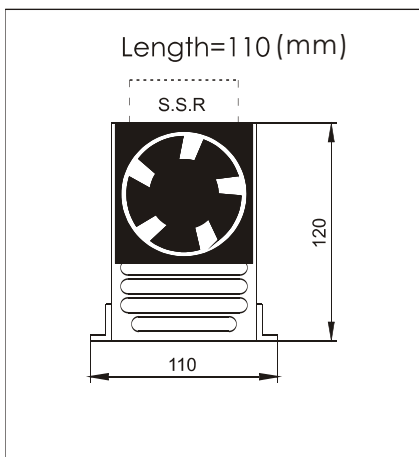
1) UHS118 Series

	MODEL	Length(mm)
	<a href="#">UHS118-1-45</a>	45
	<a href="#">UHS118-1-60</a>	60
	<a href="#">UHS118-1-80</a>	80
	UHS118-3-120	120
	UHS118-3-150	150

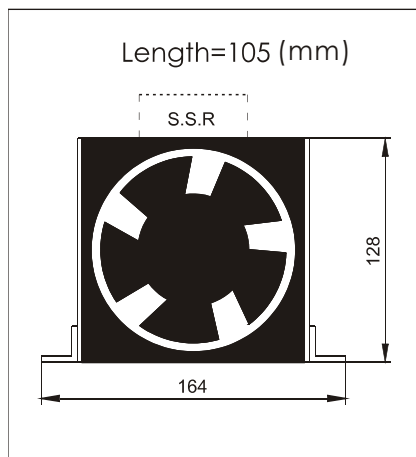
2) UHS11 Series

	MODEL	Length(mm)
	UHS11-1-80	80
	UHS11-1-105	105
	UHS11-3-80	80
	UHS11-3-105	105
	UHS11-3-150	150

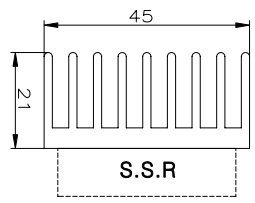
3) UHS120V80-3-110



4) UHS124V128-3-105



5) UHS126-P

	
MODEL	Length(mm)
UHS126-P-40	40
UHS126-P-50	50